

# EID disconnect switches

Fused and non-fused

Cl. I, Div. 1 & 2, Groups B, C, D  
Cl. I, Zones 1 & 2  
Cl. II, Div. 1, Groups E, F, G  
Cl. III

UL/cUL Listed  
NEMA 3, 3R, 4, 4X<sup>A</sup>, 7BCD, 9EFG

2A

## Applications:

- Provides an explosionproof disconnect with overload and circuit protection for hazardous area electrical systems
- Incorporates Eaton's Crouse-Hinds Division's high integrity manufacturing standards for safety and reliability in a compact, space-efficient NEMA 4X<sup>A</sup> enclosure

## Features:

- Available in both fused and non-fused configurations – offers flexible options for different circuit protections
- Can be ordered as enclosure only – allows for field installation of switch while maintaining product certification
- NEMA 4X breather and drain<sup>B</sup> – provides a moisture control solution in hose down applications
- Small, compact footprint – less mounting space required
- Large red painted aluminum rotary handle operator mounted on cover assembly – provides rugged, reliable performance in the field and allows for the switch position to be easily identified
- Internal fused switches are rated up to 200 kAIC short circuit rating at 600 VAC, providing increased protection
- Neoprene cover gasket – provides NEMA 4 ingress protection
- Detachable/adjustable mounting feet – provides flexible mounting alternatives for ease of installation; no need to replace the entire enclosure if a mounting foot is broken
- Stainless steel hinges – easy internal access for wiring and maintenance
- (2) 1/2" NPT conduit entries, one on top and one on bottom – for field addition of breather and/or drain or for use with auxiliary contacts; holes come plugged with Eaton's Crouse-Hinds series PLG explosionproof plug as standard
- Provides lockout/tagout capability which complies with OSHA requirements – allows for locking in the "ON" or "OFF" position for standard maintenance checks
- Complies with NEC Article 312 wire bending requirements for maximum wire gauge – allows for easy and safe installation, and reliable operation of the product

## Certifications and compliances:

- Class I, Divisions 1 & 2, Groups B, C, D
- Class I, Zones 1 & 2
- Class II, Division 1, Groups E, F, G
- Class III
- NEMA 3, 3R, 4, 4X<sup>A</sup>, 7BCD, 9EFG
- UL1203
- cUL to CSA C22.2 No. 30

## Standard materials:

- Body and cover – copper-free aluminum
- Gasket – neoprene
- Cover bolts – steel, stainless steel<sup>A</sup>
- Hinges – stainless steel
- Mounting plate sheet – aluminum
- Rotary actuating handle – aluminum

## Standard finishes:

- Copper-free aluminum – natural
- Steel – electrogalvanized



## Options:

Description	Suffix
• Auxiliary contact (single block) .....	<b>S784</b>
• Auxiliary contacts (two blocks) .....	<b>S785</b>
• Breather and drain .....	<b>S756V</b>
• Epoxy powder coat finish (external only) .....	<b>S752</b>
• Epoxy powder coat finish (internal and external) .....	<b>S753</b>
• External ground lug .....	<b>S214</b>

## Electrical ratings:

Non-fused					Fused				
Switch rating (amperage)	Horsepower rating				Switch rating (amperage)	Horsepower rating			
	240 VAC	480 VAC	600 VAC	250 VDC		240 VAC	480 VAC	600 VAC	250 VDC
30	10	20	30	5	30	–	15	20	5
60	20	40	40	10	60	–	30	50	10
100	30	50	50	20	100	–	60	75	20
200	75	150	200	15	200	60	125	150	40
400	125	250	350	50	400	125	250	350	50

## Ordering information:

Amperage	Fusing	Cat. # Enclosure only	Cat. # Enclosure with switch
30	Non-fused	EIDA	EIDA3030
	Fused	–	EIDAF3030
60	Non-fused	EIDA	EIDA3060
	Fused	–	EIDAF3060
100	Non-fused	EIDB	EIDB3100
	Fused	–	EIDBF3100
200	Non-fused	EIDC	EIDC3200
	Fused	–	EIDCF3200
400	Non-fused	EIDD	EIDD3400
	Fused	–	EIDDF3400

**Note:** Fused EID only available with the disconnect switch, not as enclosure only.

<sup>A</sup>When ordered with S752 or S753 suffix.

<sup>B</sup>When ordered with S756V suffix.

# EID disconnect switches

Fused and non-fused

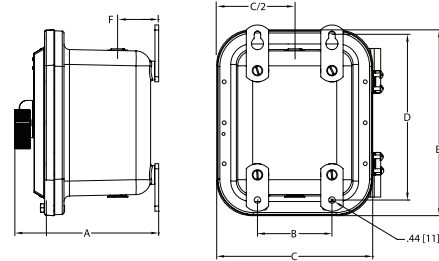
Cl. I, Div. 1 & 2, Groups B, C, D  
 Cl. I, Zones 1 & 2  
 Cl. II, Div. 1, Groups E, F, G  
 Cl. III

UL/cUL Listed  
 NEMA 3, 3R, 4, 4X<sup>Ⓞ</sup>, 7BCD, 9EFG

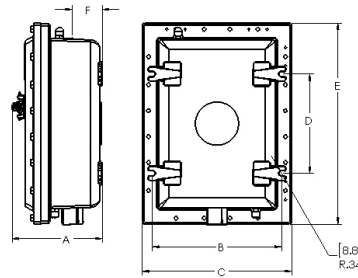
2A

## Dimensions and weights:

Non-fused				
Dimension	EIDA	EIDB	EIDC	EIDD
A	9.65" (245mm)	11.75" (298mm)	13.19" (335mm)	13.49" (343mm)
B	5.00" (127mm)	7.00" (178mm)	14.94" (380mm)	14.94" (380mm)
C	10.47" (266mm)	12.53" (318mm)	17.44" (443mm)	17.19" (437mm)
D	11.13" (283mm)	15.13" (384mm)	17.50" (445mm)	29.50" (749mm)
E	12.47" (317mm)	16.53" (420mm)	29.44" (748mm)	41.22" (1047mm)
F	2.75" (70mm)	2.75" (70mm)	5.00" (127mm)	5.00" (127mm)
Weights	36 lbs. (16 kg.)	62 lbs. (28 kg.)	167 lbs. (76 kg.)	258 lbs. (117 kg.)
Conduit size (top and bottom)	1.0"	1.5"	3.0"	(2) 3.0"

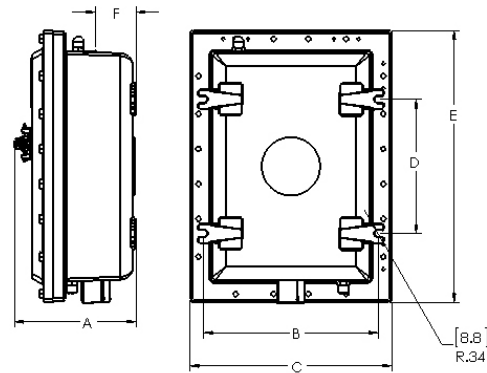


EIDA/EIDB



EIDC/EIDD

Fused					
Dimension	30A	60A	100A	200A	400A
A	10.02" (255mm)	9.90" (251mm)	10.05" (255mm)	13.19" (335mm)	13.49" (343mm)
B	7.00" (178mm)	7.00" (178mm)	14.94" (380mm)	14.94" (380mm)	14.94" (380mm)
C	12.67" (322mm)	12.53" (318mm)	17.31" (440mm)	17.44" (443mm)	17.19" (437mm)
D	13.13" (333mm)	15.13" (384mm)	11.50" (292mm)	17.50" (445mm)	29.50" (749mm)
E	14.67" (373mm)	16.53" (420mm)	23.31" (592mm)	29.44" (748mm)	41.22" (1047mm)
F	3.50" (89mm)	3.50" (89mm)	3.50" (89mm)	5.00" (127mm)	5.00" (127mm)
Weights	47 lbs. (21 kg.)	51 lbs. (23 kg.)	108 lbs. (49 kg.)	180 lbs. (81 kg.)	271 lbs. (123 kg.)
Conduit size (top and bottom)	1.5"	2.0"	2.5"	3.0"	(2) 3.0"



Ⓞ When ordered with S752 or S753 suffix.

2A